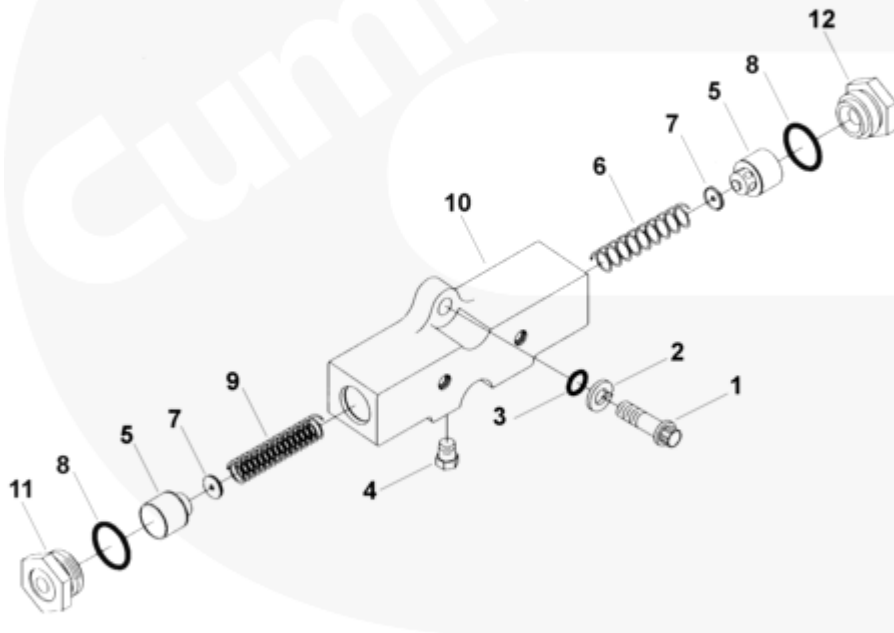




Parts Catalog - Option Detail

Electronic Parts Catalog - Option Detail				
Option	Group	Graphic	Film Card	Date
FS6013-02	06.08	fs600gn	K38	29-SEP-97
Engines	GTA38, K38, KTA38GC CM558, QSK38 CM2150 K106, QSK38 CM2150 MCRS, QSK38 CM850 MCRS			

©Cummins Inc



fs600gn

[SMALL](#) | [MEDIUM](#) | [LARGE](#)

Cart	Ref No	Part Number	Part Description	Required	Remarks
View My Cart					
		FS6013-02	Fuel Block		Standard fuel block with...(More)

					integral check valves.
<input type="checkbox"/>	1	S 604	Lock Washer	2	3/8 in.
<input type="checkbox"/>	2	191772	Twelve Point Cap Screw	2	3/8 - 16 X 1 1/4 in.
<input type="checkbox"/>	3	3818885	O-Ring Seal	2	
<input type="checkbox"/>		3629408	Fuel Block Connection	1	
	4	3631805	Pipe Plug	2	
<input type="checkbox"/>	5	650826	Fuel Control Plunger	2	
<input type="checkbox"/>	6	650829	Compression Spring	1	
<input type="checkbox"/>	7	651045	Grommet Seal	2	15/32 in.
<input type="checkbox"/>	8	3046943	O-Ring Seal	2	
<input type="checkbox"/>	9	3277045	Compression Spring	1	
<input type="checkbox"/>	10	3629409	Fuel Block Connection	1	
<input type="checkbox"/>	11	3629410	Spring Retainer	1	
<input type="checkbox"/>	12	3629411	Pressure Regulator Valve Seat	1	